



InsPIRed®



Our InsPIRed® solar exterior lantern uses the latest technology to deliver a truly market leading, energy efficient illumination system.

InsPIRed® is fitted with four PIR sensors which trigger the LEDs when a person is detected, and uses radio signals to communicate with other lanterns in the scheme to notify them when a person has been detected and sends signals to the surrounding lanterns to brighten the area, allowing us to meet up to P3 lighting classifications.

Main Features:

- Solar powered for grid independence
- Market leading autonomy (up to 30 days)
- Market leading duty cycle
- 5 year warranty
- Electrical, battery & optical compartment designed to IP66*
- Luminaire designed to IP54*
- PIR sensors trigger the light source and use radio signals to notify other lanterns in the scheme when a person is detected (12m detection radius)
- Configurable light array
- Rotatable solar panel array
- Replaceable & rechargeable battery cassettes (x4)
- Fully recyclable
- Smart City capable
- Designed for use in UK latitude
- Modular upgradeable construction

*Awaiting testing

Materials:

- Toughened glass solar panels
- UV polycarbonate optical windows
- High pressure die cast aluminium housing
- High density polyethylene solar array

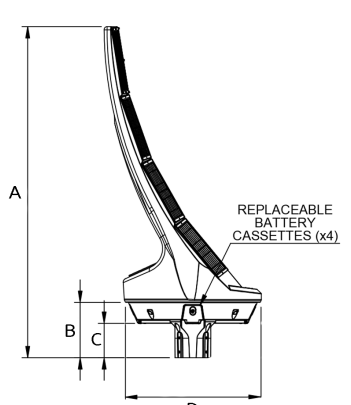
Specification

	Specification	Notes
Optical		
Lumen output range	175 - 3350Lm	Dynamic lighting
Colour Temperature	2200k / 3000k	2200k (dimmed) 3000k (triggered) 2200 x 1/2W
CRI	70	
S/P Ratio	1 - 1.3	
Distribution Options	ISENA Type II, III & V	Up to 4 quadrants directable LED array, within maximum power constraints
LM-80	L90B10	>100,000Hrs

Electrical		
Power range	0.5W - 20W	Dynamic lighting
PV Power (rated)	144W	Optimised for winter sun, south facing
Battery capacity	Up to 1268Wh	In 4 rechargeable & replaceable cassettes

Operational		
Maintenance	App / front screen diagnostics tool	Under development
Control	Configurable to site conditions	
PIR sensors	4 x high performance PIR sensors	12m PIR range
Duty cycle	Up to 100 PIR triggers average per night, programable	For up to 2 minutes at full power (time on can be variable)
Temperature Range	-20 to +40 °C	Testing based on 25°C ambient

Luminaire characteristics

Dimensions		A	1752mm	C	181mm
		B	292mm	D	709mm
Nominal weight	47.5kg				
Windage	1.13m ²				
Recommended mounting height	6m				