



Robust
Silent
Reliable

LE-v50 Extreme

Ultra-tough for **extreme environments**

MADE IN
BRITAIN



LE-v50 Extreme - Features



LE-v50 Extreme

The perfect **wind turbine** for trickle charging batteries

Features:

Rugged

Can survive winds up to 35m/s (80mph)

Reliable

One moving set of parts and no brushes to wear out

Small compact size

Easy to install where space is a premium

Lightweight

At only 9kg, can be installed with ease

Designed for sub-zero temperatures

Ideal for temperatures at -40degC

Fully marinised

Designed for corrosive marine environment

Designed and proven to survive gusts of 80mph

The LE-v50 Extreme fills a gap in the market where small amounts of power are required in harsh environments. This turbine is very robust having proved itself in the Antarctic, Greenland and Arctic Canada...

The LE-v50 Extreme delivers power outputs of up to 70W in absolute silence. Compared to similar vertical axis turbines, the LE-v50 Extreme delivers far higher output thanks to the cross-ventilated 'savourious' vertical axis rotor. This is coupled with the well proven axial flux alternator design that has been successfully used on all our turbines. With only 1 moving part, there is little to go wrong.

The small footprint and lightweight design allows the turbine to be installed in places where space is a premium. The turbine will receive the wind from 360 degrees without the need to yaw into position. The LE-v50 Extreme can self-regulate without the need for external charge controllers and the turbine's double bearing arrangement is superior to cantilever designs found in other vertical axis turbines.

LE-v50 Extreme - Technical Overview

Rotor diameter - 270mm **Height** - 456mm

Rotor type - 3-Blade savonius

Blade material - Aluminium

Rated output - 10W at 12m/s (26mph)

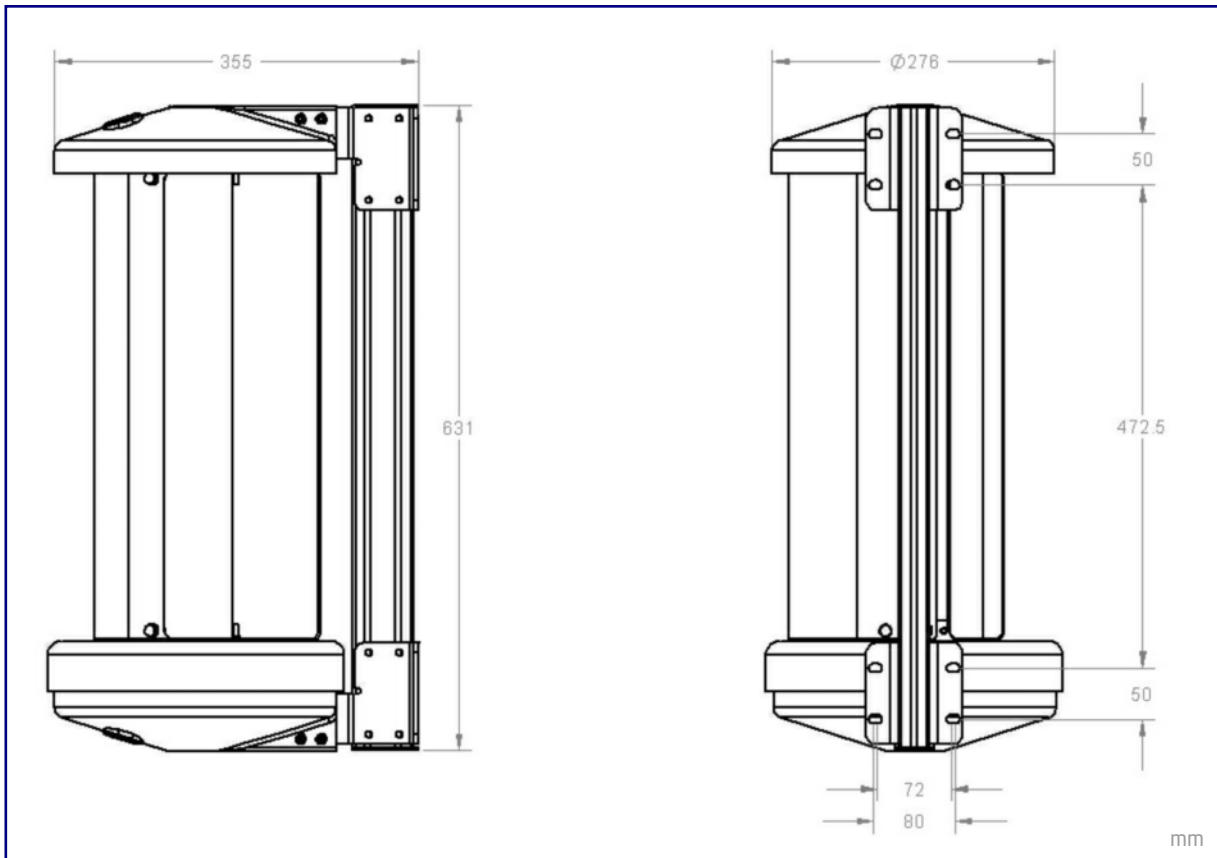
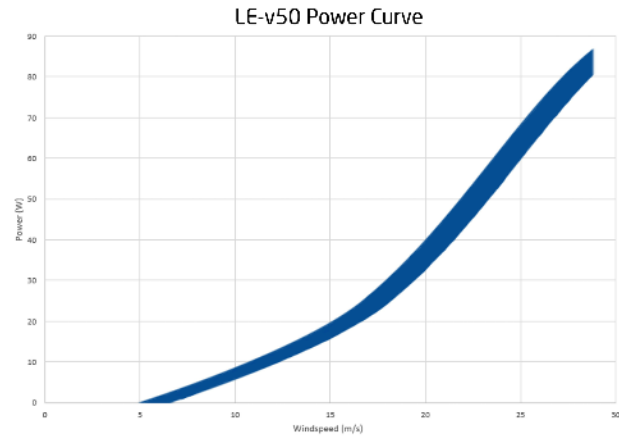
Peak output - 70W

Cut-in speed - 5m/s (11mph)

Weight - 9Kg

Warranty - 2 years

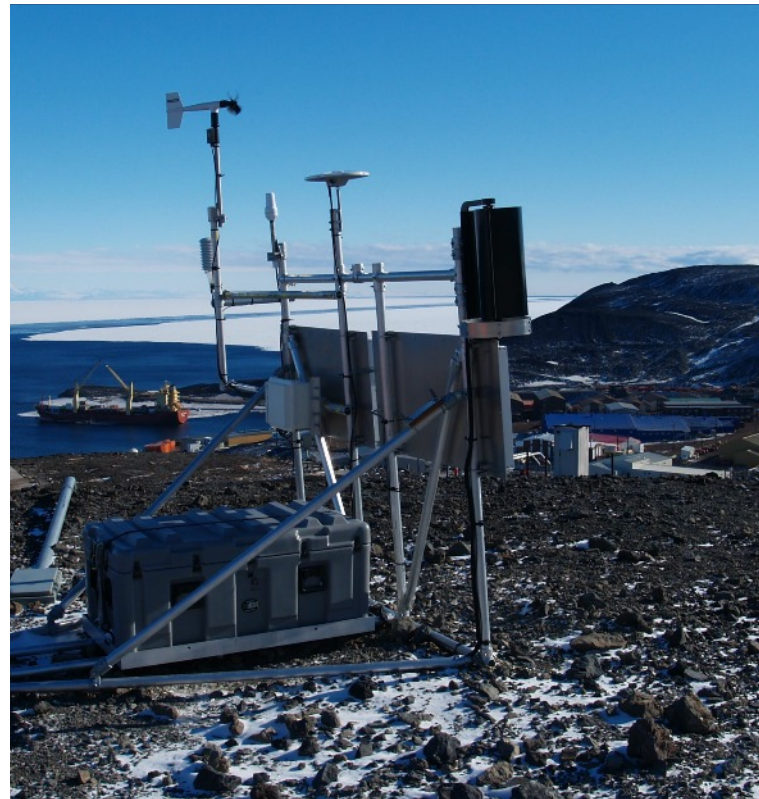
DC Output voltage - 12V, 24V, 48V



Where wind speeds can regularly reach over 27m/s (60mph), the LE-v50 Extreme is the wind turbine of choice. It features enhancements that reduce the stress and fatigue on the blades during prolonged periods of storm force winds. It is also fitted with baffle plates that prevent

damage to the upper cowling. In sub-zero temperatures, the black body absorbs UV light to help prevent ice build up while the low-temperature bearings mean the turbine continues generating power at temperatures down to -40 degC.

LE-v50 Extreme - Applications



- Marine
- Telemetry
- Trickle Charging
- LED lighting systems
- Extreme environments
- Off-grid

Our LE-v50 Extreme vertical axis turbine is specially adapted for storm force winds and sub-zero temperatures. The LE-v50 Extreme will trickle charge your batteries or provide energy for low power electronic devices such as data-logging and telemetry equipment.

Wind turbine performance is subject to many factors. All output data contained in this document is indicative and actual turbine outputs will depend on the prevailing site and installation conditions.

Your local distributor



Leading Edge

Leading Edge Turbines
Skyrrid Farm | Pontrilas
Herefordshire | HR2 0BW
www.leadingedgepower.com

Tel +44 (0)1981 241668
Email info@leadingedgepower.com

Copyright © 2020 Leading Edge Turbines